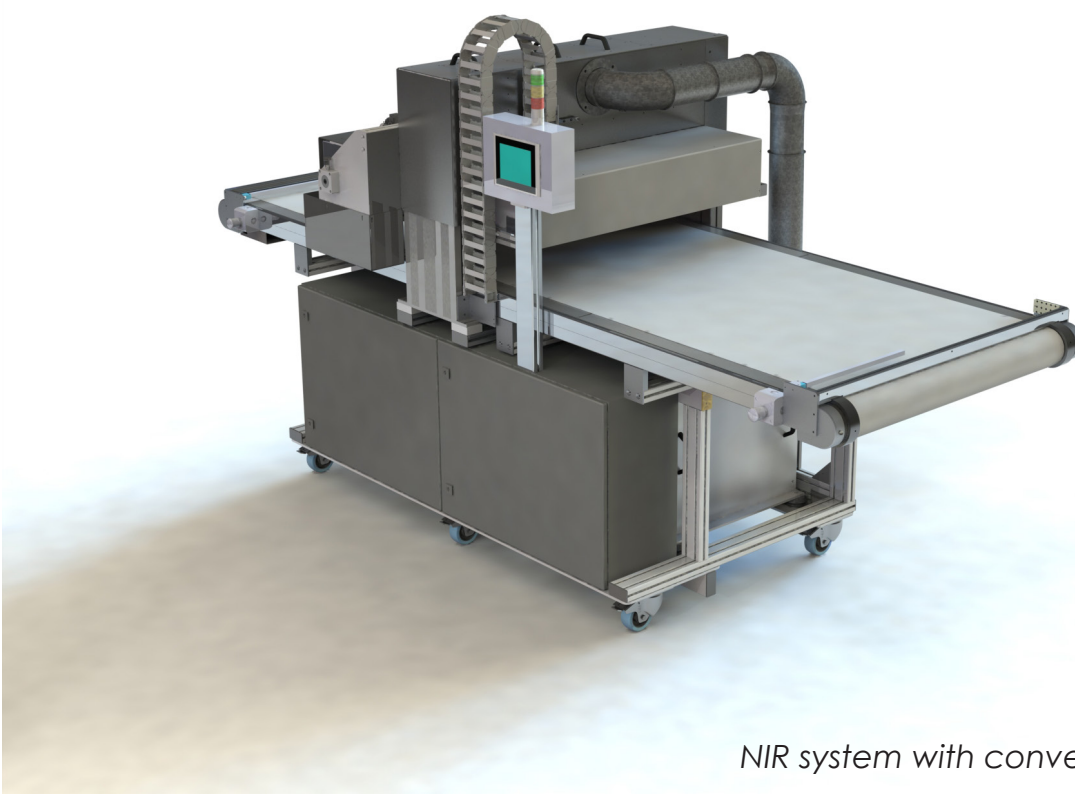


Conveyor belt systems

NIR systems for any production line



NIR system with conveyor belt

Our expertise:

We do not stop at NIR applications but we also supply the periphery, such as conveyor technology. Let us configure the perfect system to your requirements from the wide variety of our products.

Product features:

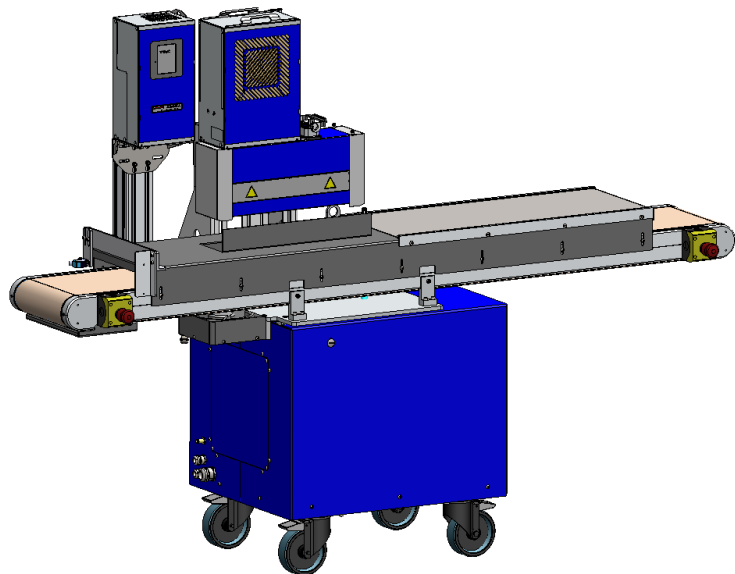
- Any type of belt is possible.
- Operating width from 200 to 670 mm.
- Equipping with any of our NIR or MIR modules.
- Additional features possible, such as air recirculation units, cooling units, UV treatment, photoelectric barriers, pyrometer etc.
- Controller included for either local control or integration to higher-level control system (PLC) via serial interface.
- Also available: Advanced control with OPC-UA and further interfaces.

Conveyor belt systems

NIR systems for any production line



Lambda Technology Drying system with conveyor belt



Compact NIR system with conveyor belt